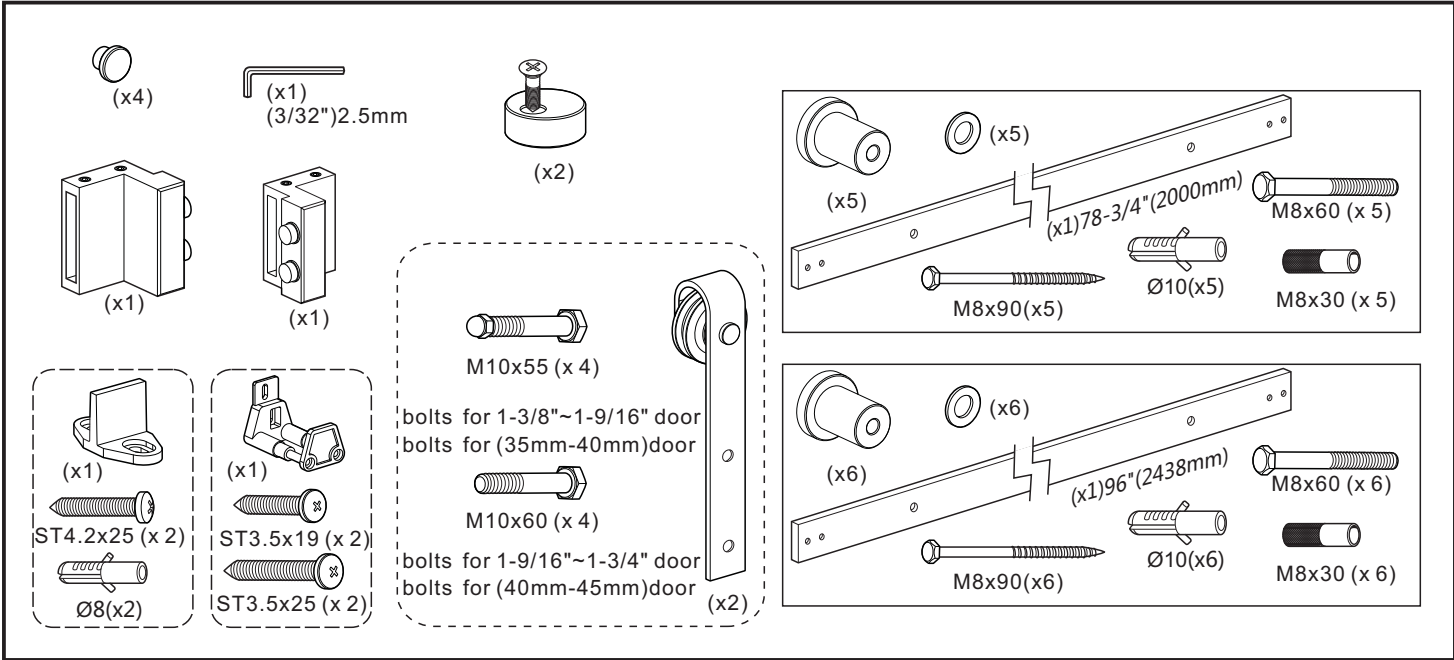
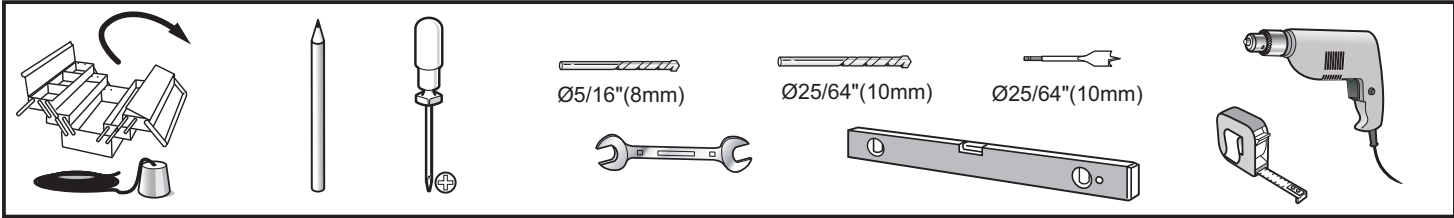
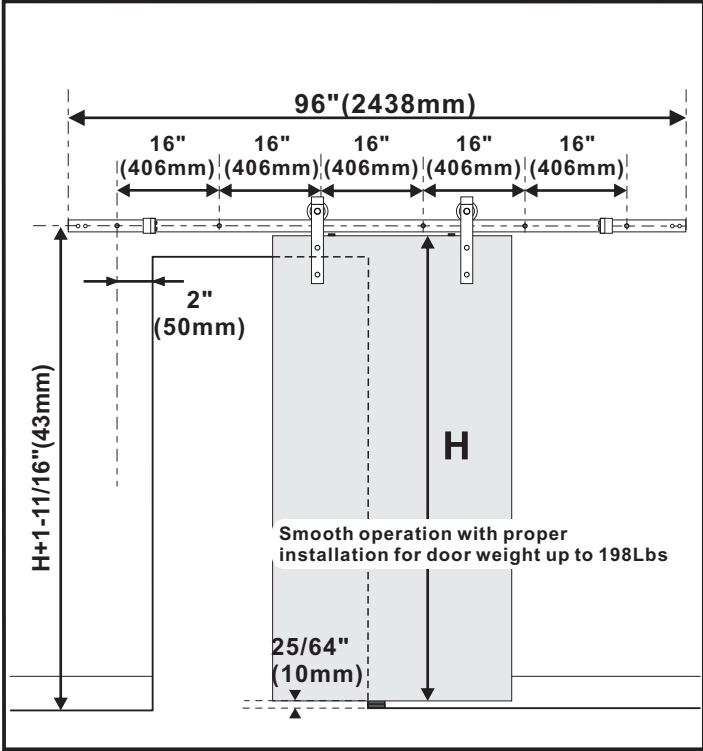
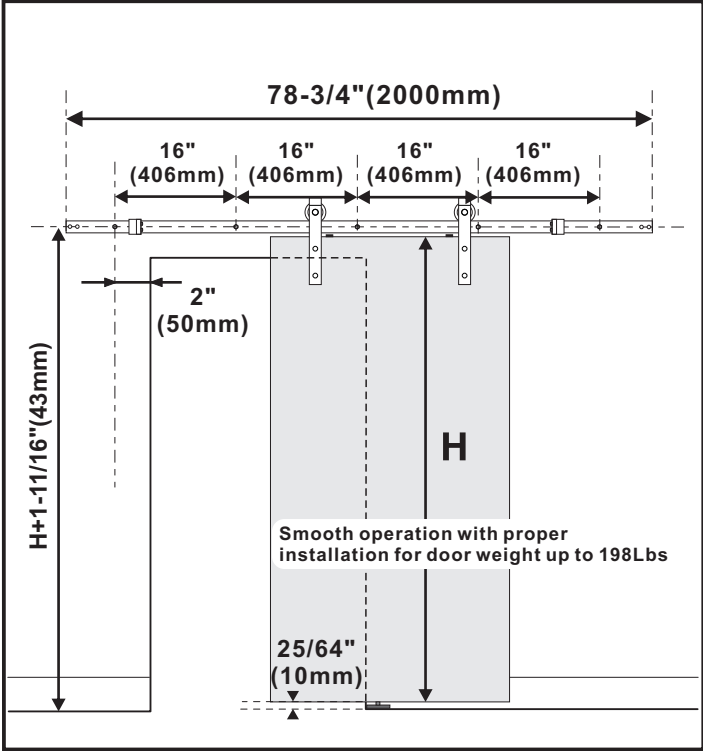
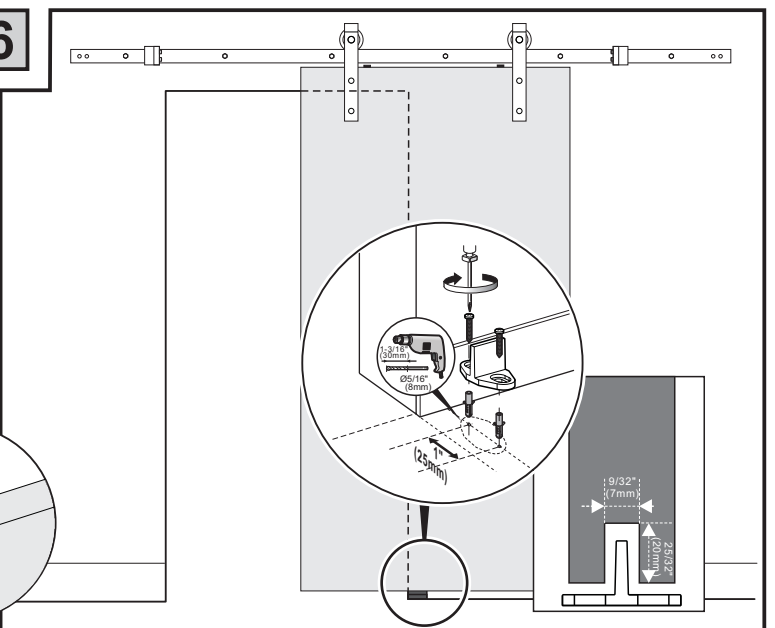
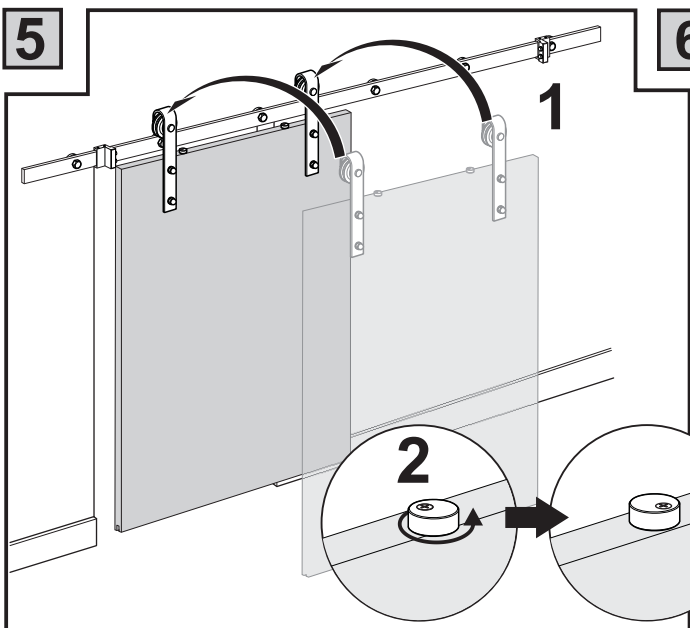
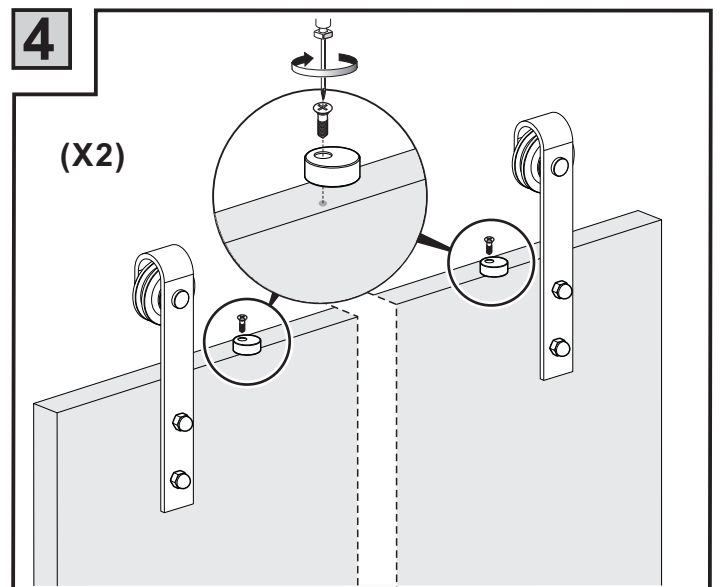
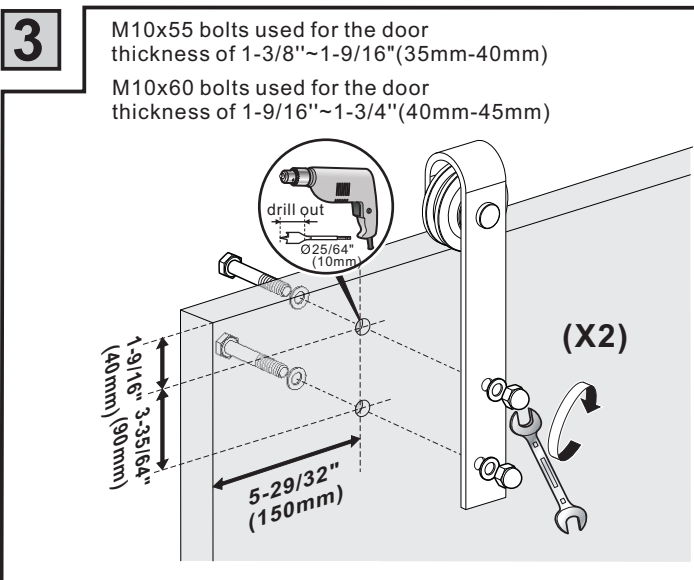
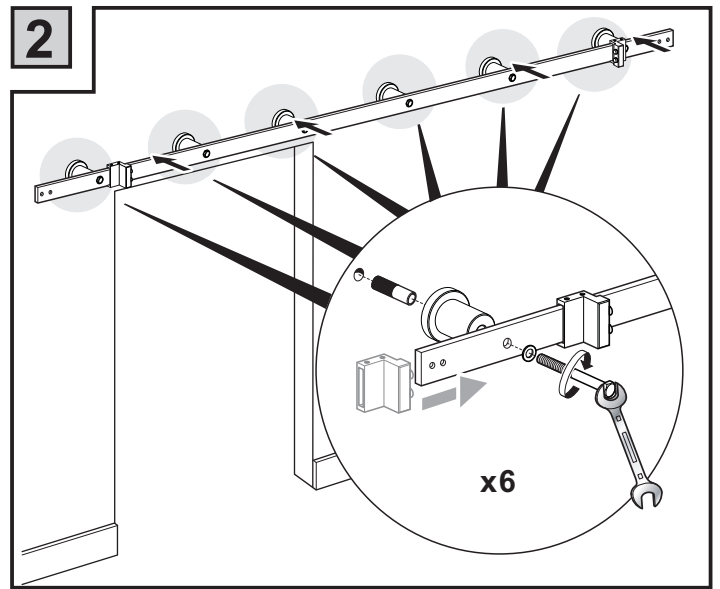
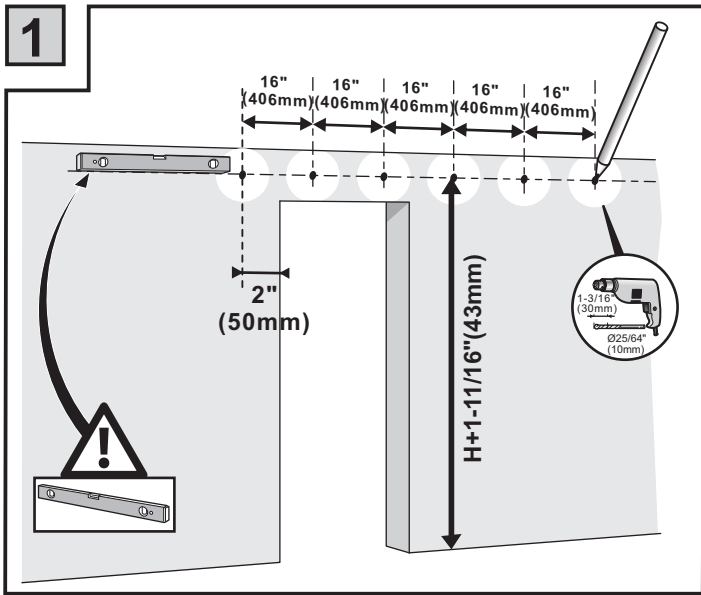
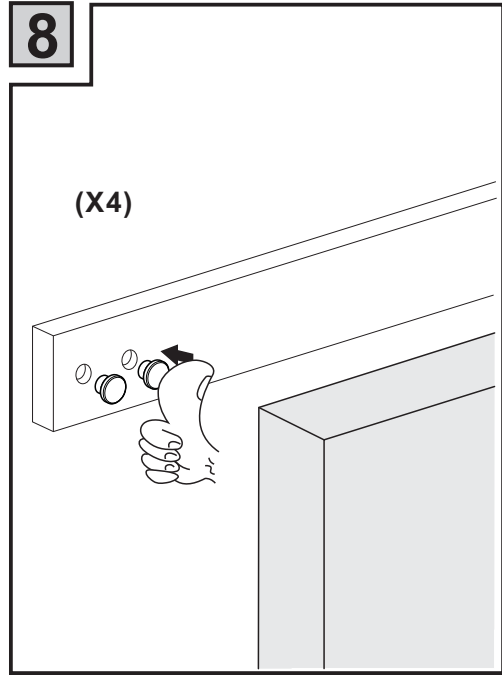
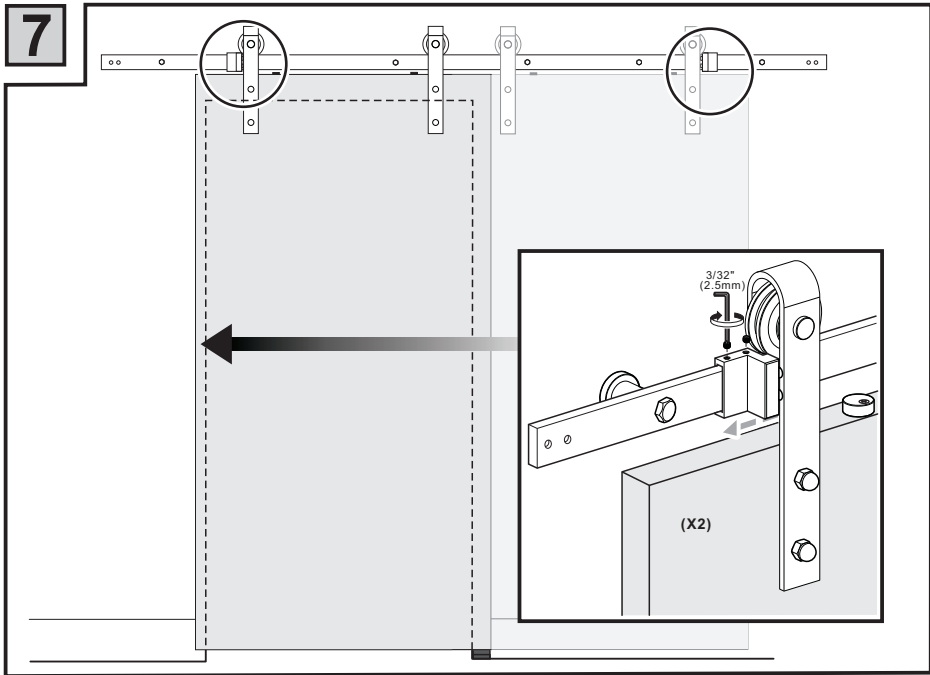


Installation Manual





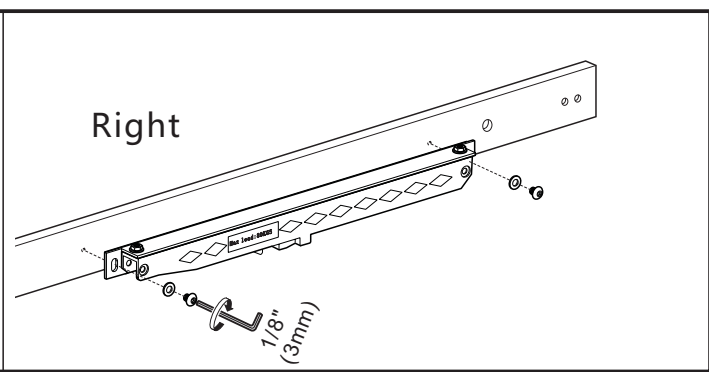
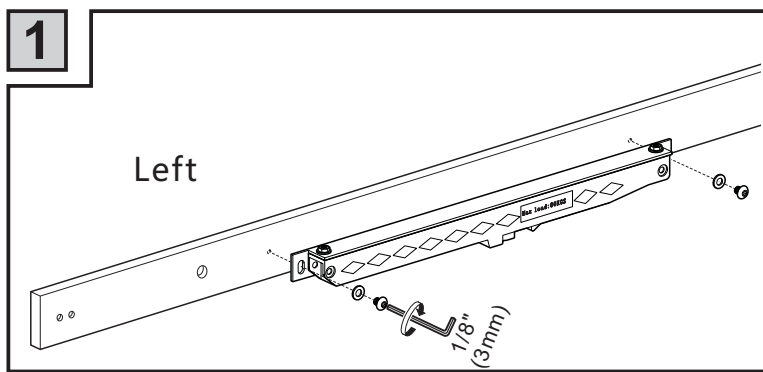


Optional: Soft CloseKit mounting instruction

(x1)Left (x1)Right

M5x6(x4) (x1) 1/8"(3mm)

(x4) ST4.2x25 (x 6) (x2)



2

①

②

(x2)

Install the two actuators on top of door panel based on door width.

Then adjust the screws to fit for the actuators